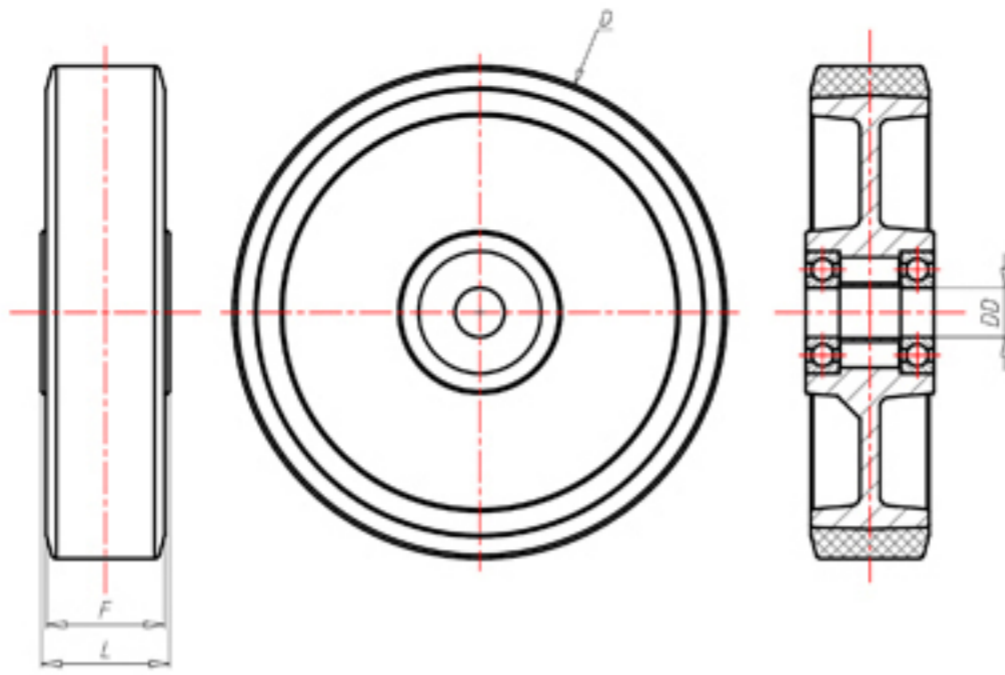


**DITHERM
XTW**

+400°C
-50°C



	D	100
	F	35
	L	40
	DD	Ø 12
	LC	250



Code for plain bore wheel

XTW100



Code for wheel with coated bush

-



Code for wheel with double BT self-lube bush

-



Code for wheel with double HT ball bearing

XTW100C

