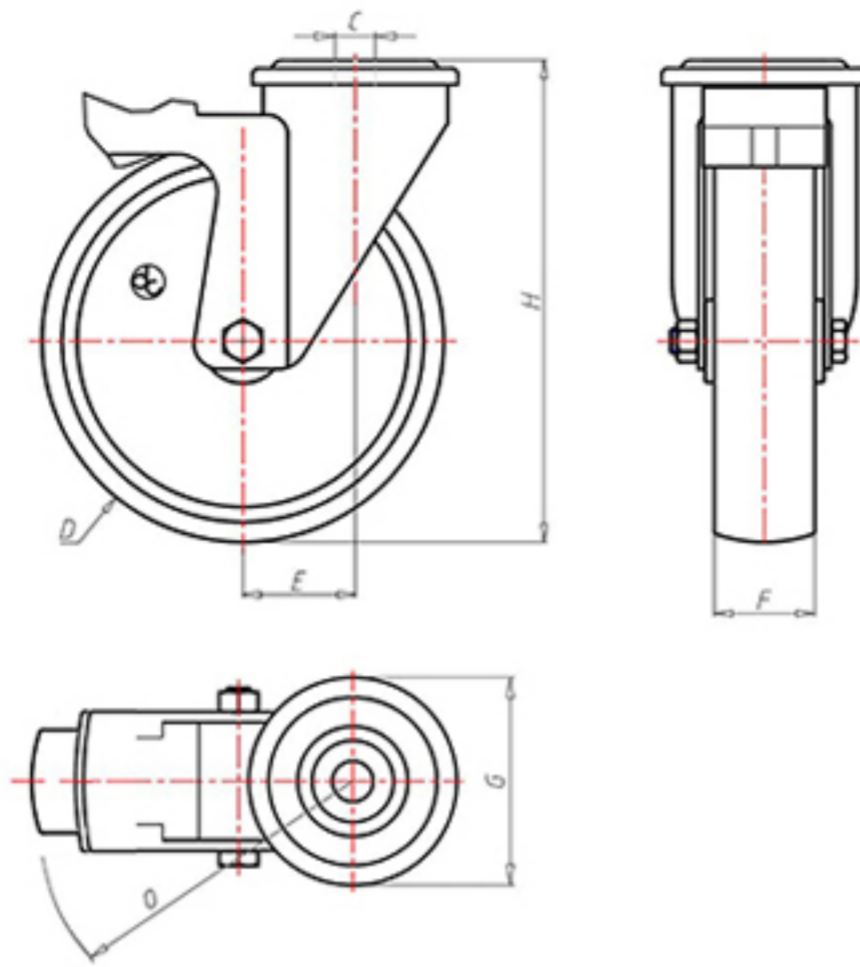


**DITHERM  
XTW**

+400°C  
-50°C



	D	100
	F	35
	H	128
	G	Ø 77
	C	Ø 12
	E	42
	O	124
	LC	220



Code for plain bore wheel

**XPZ100FS**



Code for wheel with coated bush

**XPZ100BRFS**



Code for wheel with double BT self-lube bush

**XPZ100BTFS**



Code for wheel with double HT ball bearing

**XPZ100CFS**

