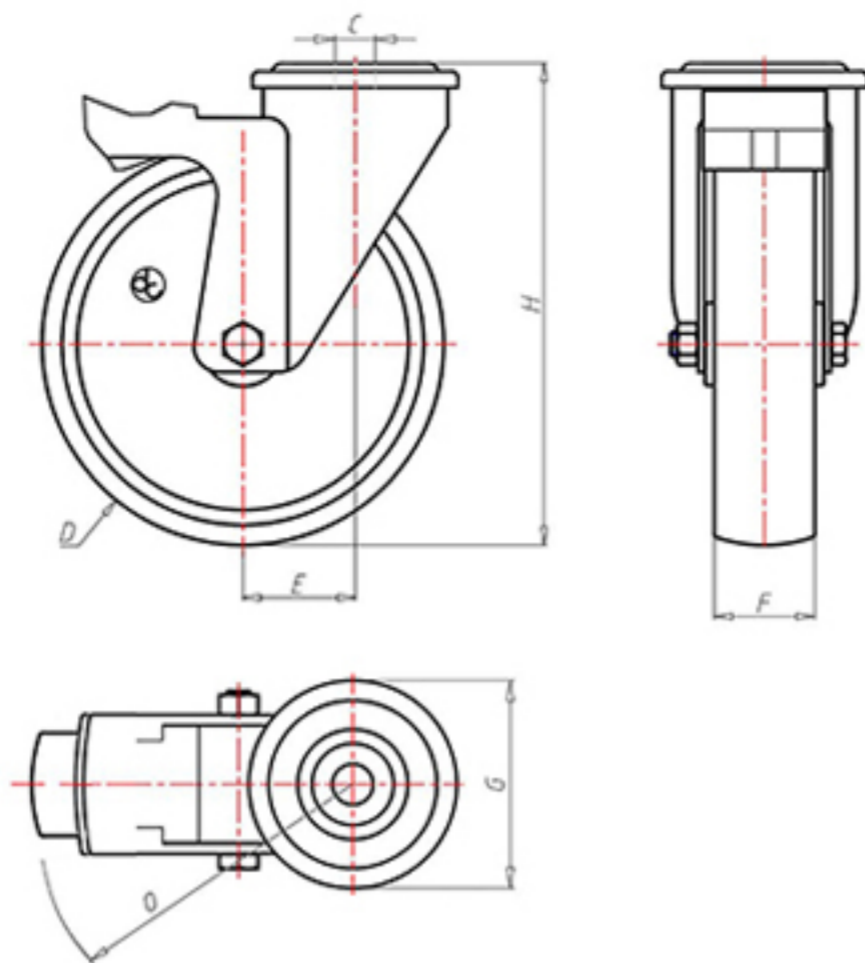


D-NAMIC

92 Shore A
+90°C
-40°C

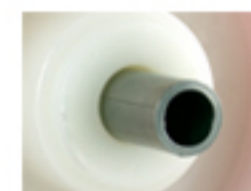


	D	125
	F	35
	H	155
	G	Ø 77
	C	Ø 12
	E	44
	O	124
	LC	230



Code for plain bore wheel

XNPZ12545FS



Code for wheel with roller bearing

XNPZ12545RFS



Code for wheel with double sealed ball bearing

XNPZ125CFS



Code for wheel with double sealed Inox ball bearing

-

