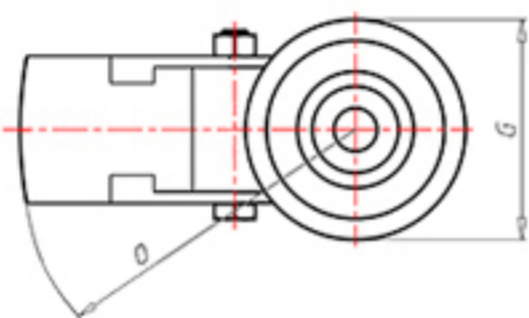
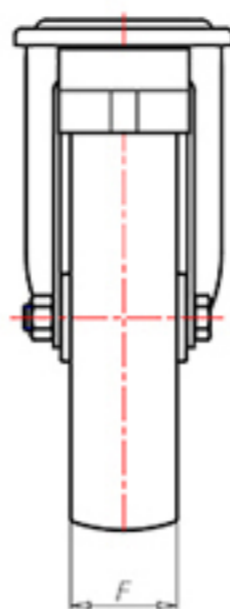
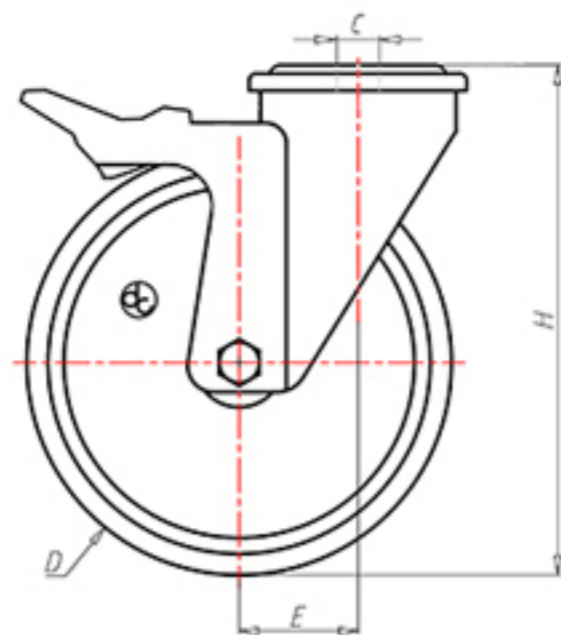


D-NAMIC

92 Shore A  
+90°C  
-40°C



	D	100
	F	33
	H	128
	G	Ø 77
	C	Ø 12
	E	42
	O	124
	LC	220



Code for plain bore wheel

XNPZ10040FA



Code for wheel with roller bearing

XNPZ10040RFA



Code for wheel with double sealed ball bearing

XNPZ10040CFA



Code for wheel with double sealed Inox ball bearing

-

