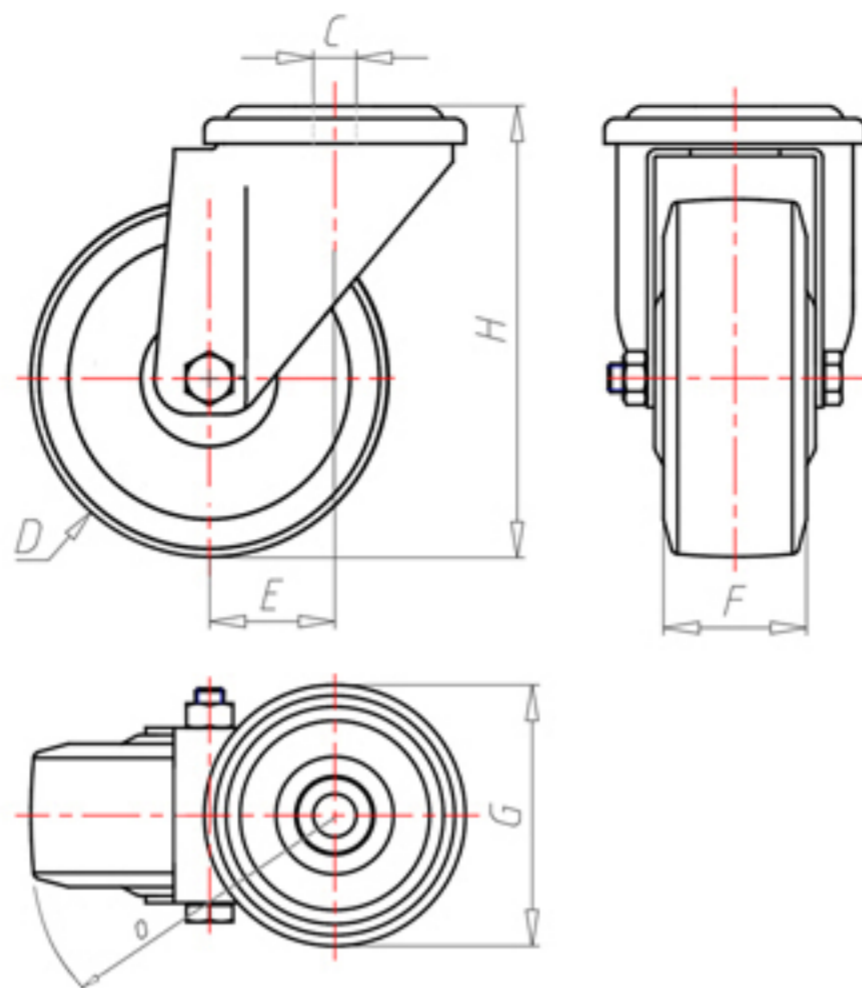


D-NAMIC

92 Shore A
+90°C
-40°C

INOX



	D	150
	F	40
	H	181
	G	Ø 102
	C	Ø 16
	E	52
	O	124
	LC	350



Code for plain bore wheel

XNPX15060



Code for wheel with Inox roller bearing

XNPX15060RX



Code for wheel with double sealed ball bearing

XNPX15060C



Code for wheel with double sealed Inox ball bearing

XNPX15060CX

