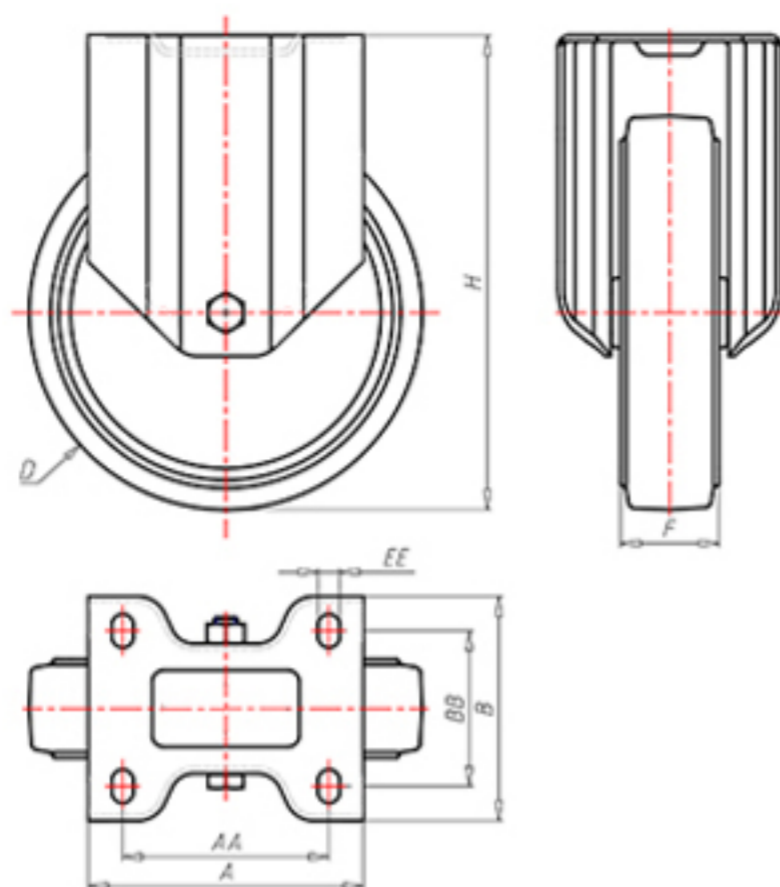


D-NAMIC

92 Shore A
+90°C
-40°C

INOX



	D	200
	F	50
	H	232
	AxB	135x110
	AAxBB	105x80
	EE	11
	B	
	AA	
	A	
	LC	500



Code for plain bore wheel

XNFX20060



Code for wheel with Inox roller bearing

XNFX20060RX



Code for wheel with double sealed ball bearing

XNFX20060C



Code for wheel with double sealed Inox ball bearing

XNFX200CX

