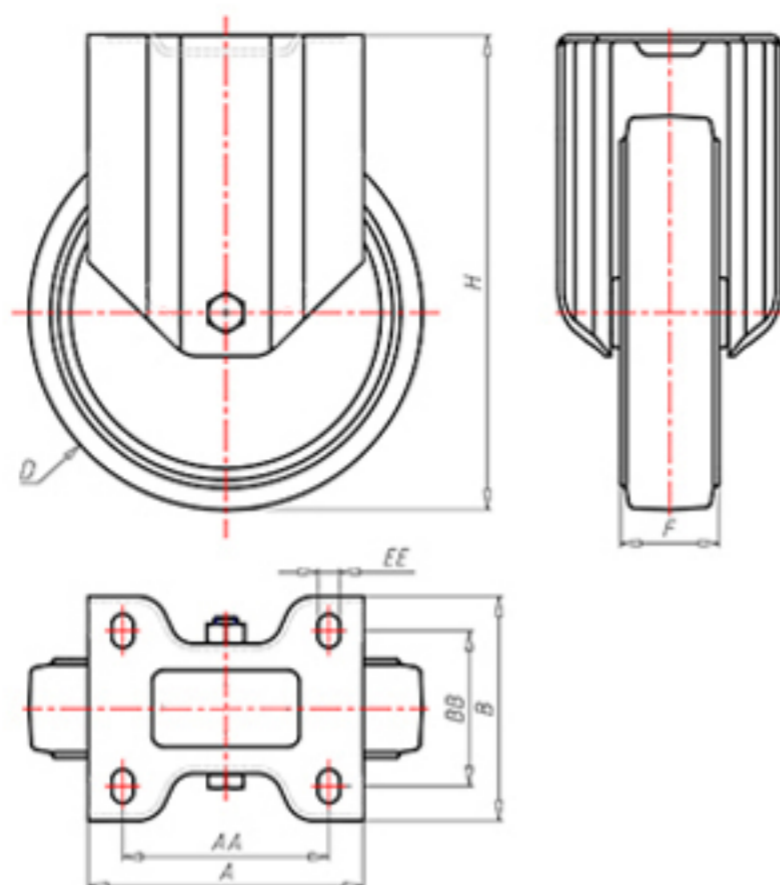


D-NAMIC

92 Shore A
+90°C
-40°C

INOX



| | | |
|--|-------|--------|
| | D | 100 |
| | F | 33 |
| | H | 128 |
| | AxB | 100x85 |
| | AAxBB | 80x60 |
| | EE | 9 |
| | LC | 250 |



Code for plain bore wheel

XNFX10045



Code for wheel with Inox roller bearing

XNFX10045RX



Code for wheel with double sealed ball bearing

XNFX100C



Code for wheel with double sealed Inox ball bearing

XNFX100CX

