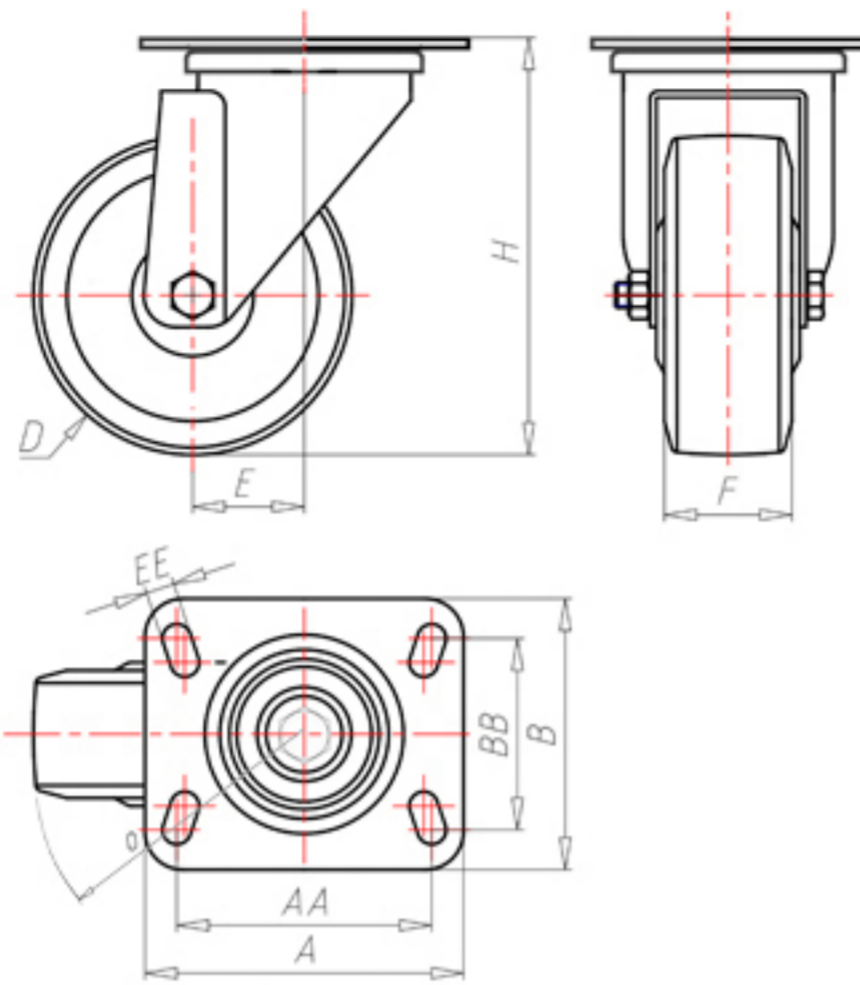


**DITHERM  
XTW**

+400°C  
-50°C



	D	100
	F	35
	H	131
	AxB	100x85
	AAxBB	80x60
	EE	9
	E	42
	O	92
	LC	220



Code for plain bore wheel

**XGZ100P**



Code for wheel with coated bush

**XGZ100PBR**



Code for wheel with double BT self-lube bush

**XGZ100PBT**



Code for wheel with double HT ball bearing

**XGZ100PC**

