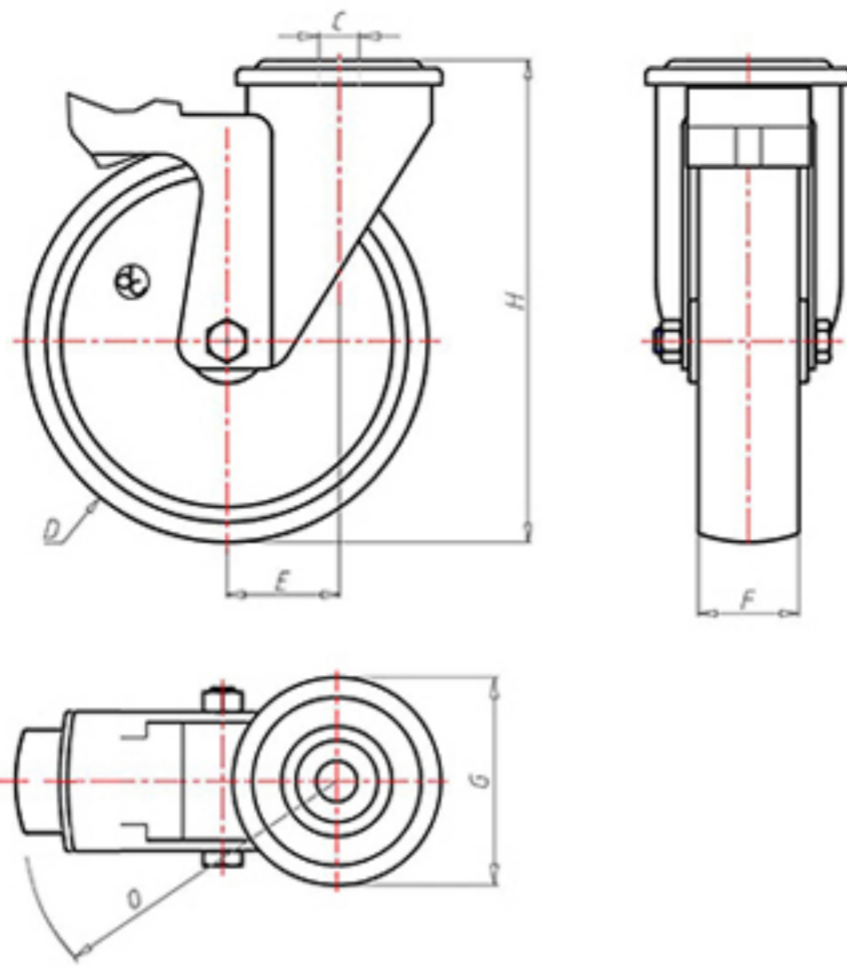


**DITHERM  
MTW**

+280°C  
-70°C

**INOX**



	D	80
	F	30
	H	108
	G	Ø 77
	C	Ø 12
	E	40
	O	124
	Kg LC	200



Code for plain bore wheel

**SPX80FS**



Code for wheel with coated bush

**SPX80BRFS**



Code for wheel with double BT self-lube bush

**SPX80BTFS**



Code for wheel with double HT ball bearing

-

