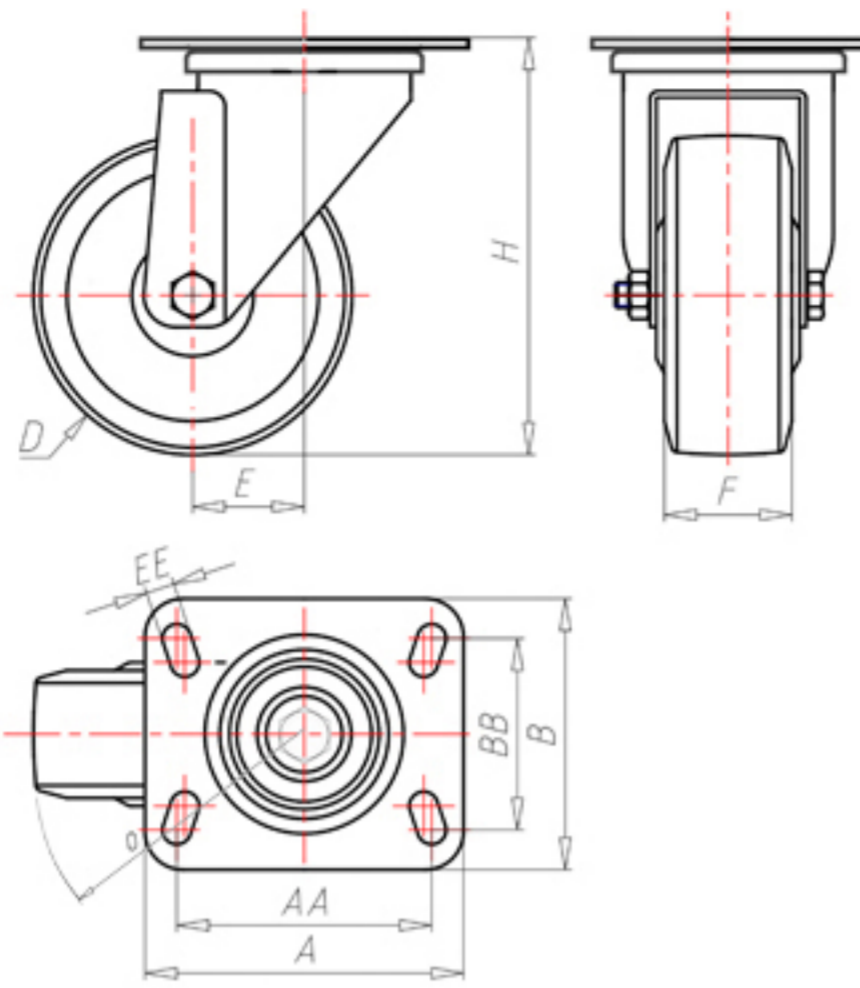


**DITHERM  
STW**

+280°C  
-70°C

**INOX**



|  |       |        |
|--|-------|--------|
|  | D     | 150    |
|  | F     | 40     |
|  | H     | 184    |
|  | AxB   | 100x85 |
|  | AAxBB | 80x60  |
|  | EE    | 9      |
|  | E     | 46     |
|  | O     | 120    |
|  | LC    | 280    |



Code for plain bore wheel

**SGX15045P**



Code for wheel with coated bush

**SGX150PBR**



Code for wheel with double BT self-lube bush

-



Code for wheel with double HT ball bearing

-

