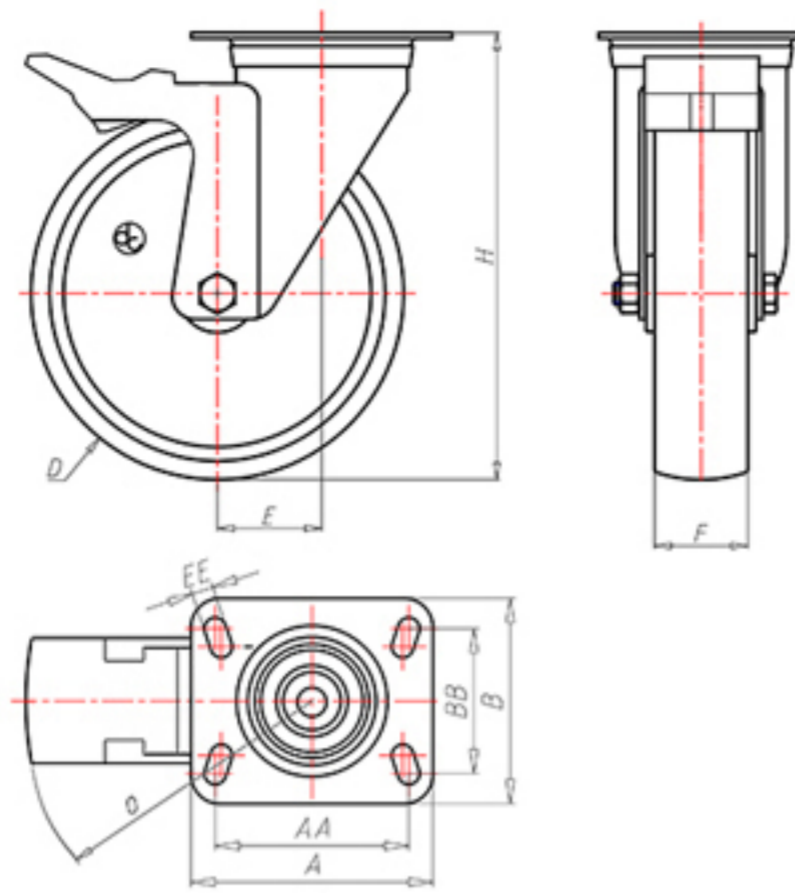


**DITHERM
STW**

+280°C
-70°C

INOX



	D	100
	F	30
	H	128
	AxB	100x85
	AAxBB	80x60
	EE	9
	E	42
	O	124
	LC	220



Code for plain bore wheel

SGX100PFA



Code for wheel with coated bush

SGX100PBRFA



Code for wheel with double BT self-lube bush

SGX100PBTFA



Code for wheel with double HT ball bearing

SGX100PCFA

