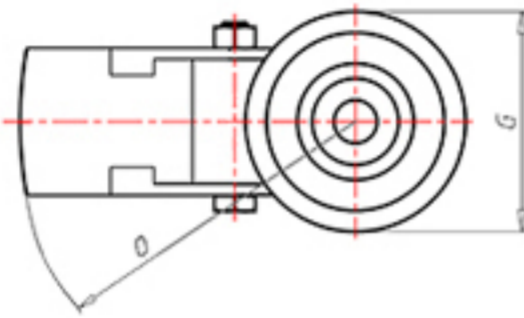
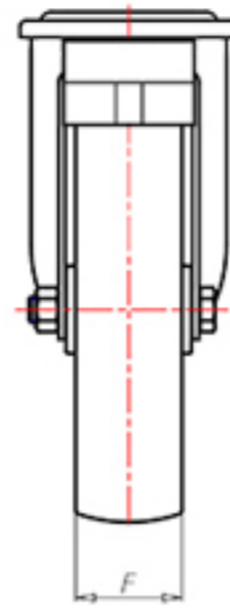
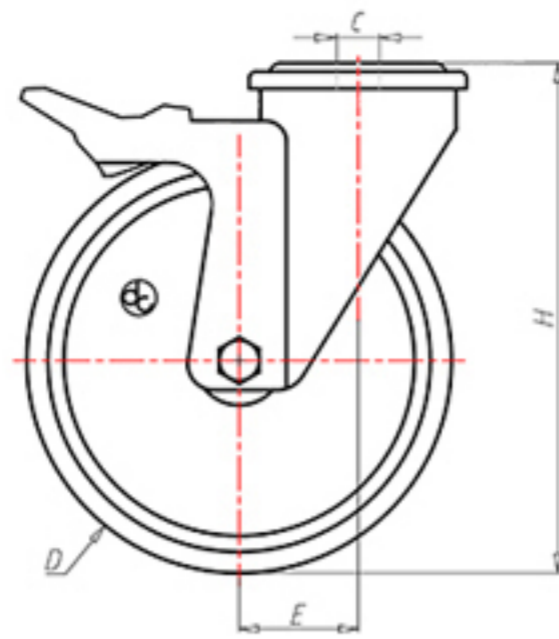




+260°C
-40°C



	D	100
	F	30
	H	128
	G	Ø 77
	C	Ø 12
	E	42
	O	124
	LC	120



Code for plain bore wheel

RPZ100FA



Code for wheel with coated bush

RPZ100BRFA



Code for wheel with double BT self-lube bush

RPZ100BTFA



Code for wheel with double HT ball bearing

RPZ100CFA

