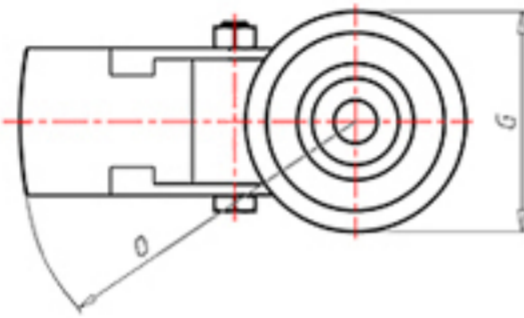
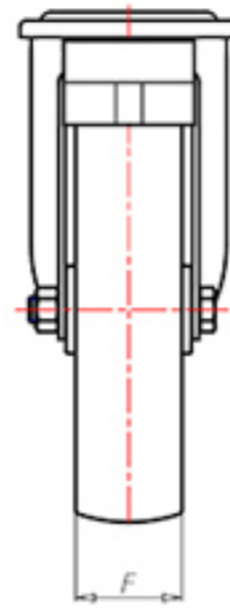
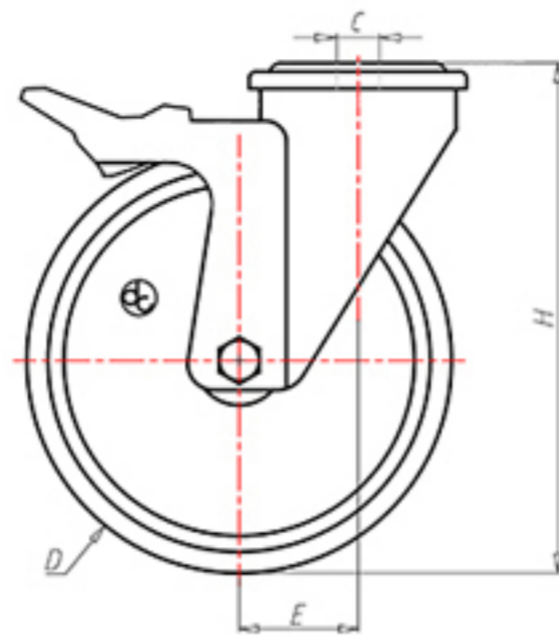


**DITHERM
RHT**

+260°C
-40°C

INOX



	D	80	
	F	30	
	H	108	
	G	Ø 77	
	C	Ø 12	
	E	40	
	O	124	
	Kg weight	LC	100



Code for plain bore wheel

RPX80FA



Code for wheel with coated bush

RPX80BRFA



Code for wheel with double BT self-lube bush

RPX80BTFA



Code for wheel with double HT ball bearing

RPX80CFA

