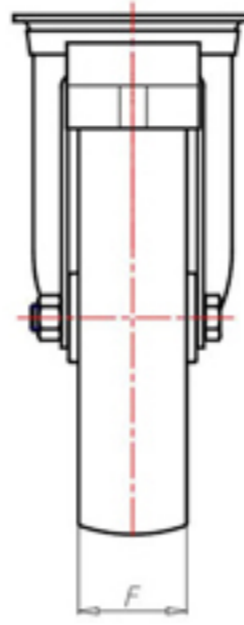
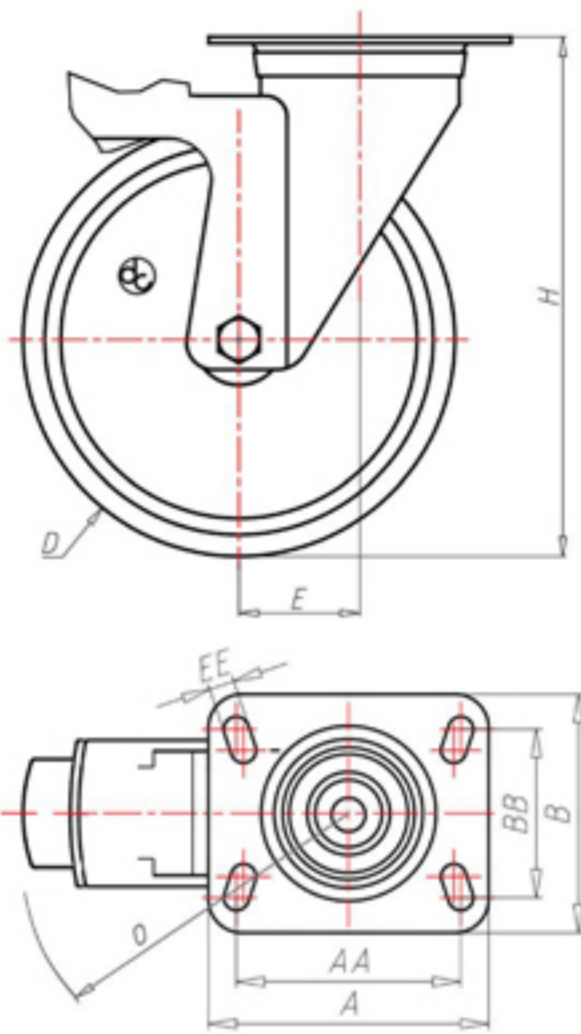


**DITHERM  
RHT**

+260°C  
-40°C

**INOX**



	D	80
	F	30
	H	108
	AxB	100x85
	AAxBB	80x60
	EE	9
	E	42
	O	124
	LC	120



Code for plain bore wheel

**RGX100FS**



Code for wheel with coated bush

**RGX100BRFS**



Code for wheel with double BT self-lube bush

**RGX100BTFS**



Code for wheel with double HT ball bearing

**RGX100CFS**

