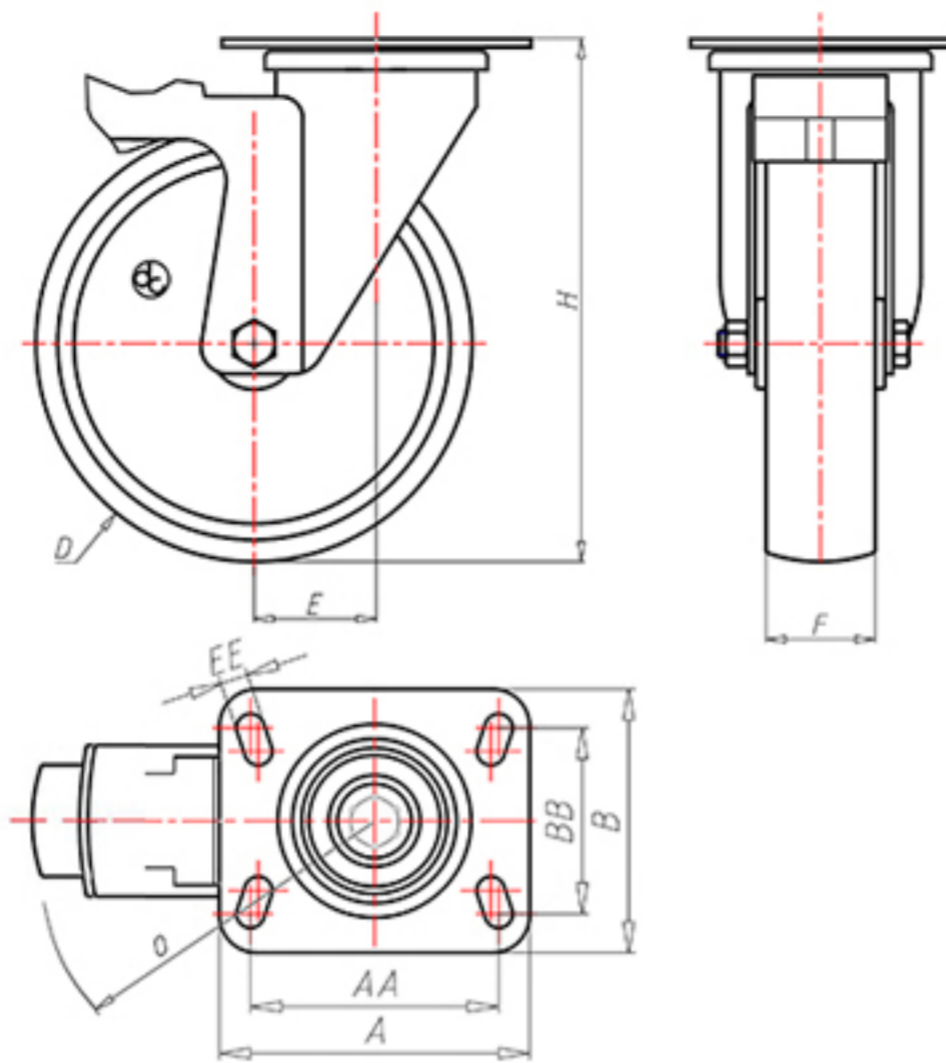


**DITHERM
RHT**

+260°C
-40°C

INOX



	D	100
	F	30
	H	131
	AxB	100x85
	AAxBB	80x60
	EE	9
	E	42
	O	124
	LC	120



Code for plain bore wheel

RGX100PFS



Code for wheel with coated bush

RGX100PBRFS



Code for wheel with double BT self-lube bush

RGX100PBTFS



Code for wheel with double HT ball bearing

RGX100PCFS

