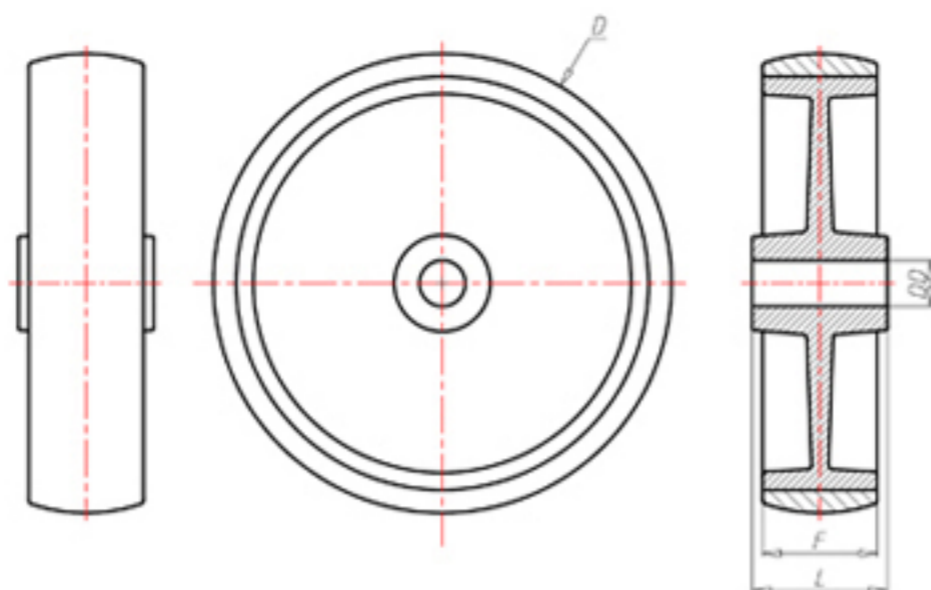


D-NAMIC

92 Shore A  
+90°C  
-40°C



	D	100
	F	33
	L	40
	DD	Ø 12
	LC	280



Code for plain bore wheel

PXN10040



Code for wheel with roller bearing

PXN10040R



Code for wheel with Inox roller bearing

PXN10040RX



Code for wheel with double sealed ball bearing

PXN10040C



Code for wheel with double sealed Inox ball bearing

PXN10040CX

