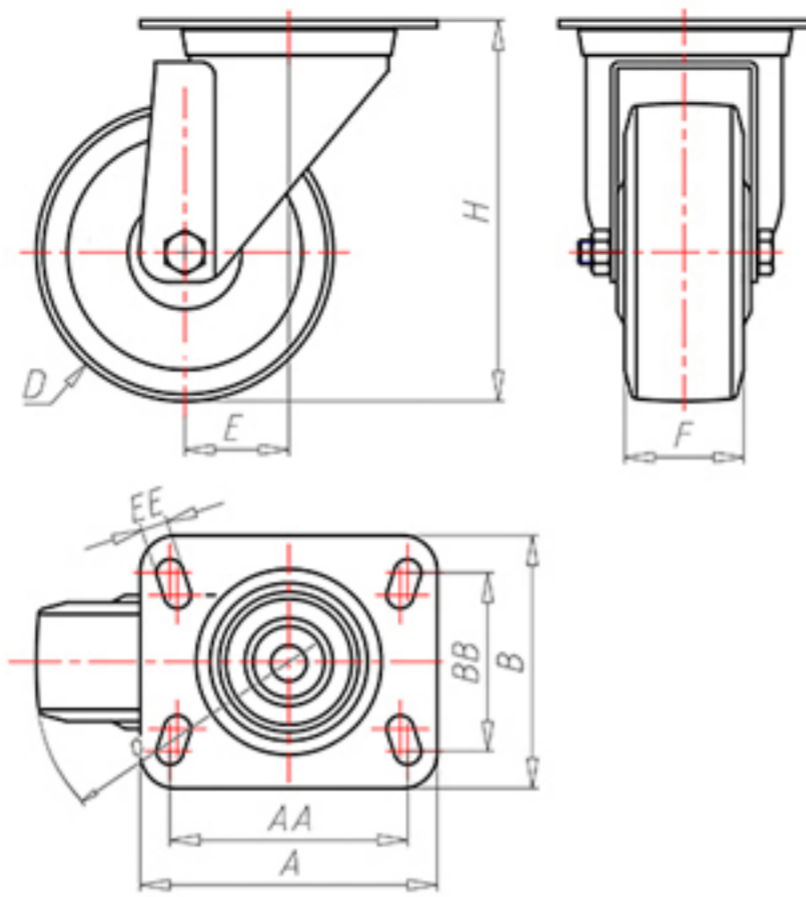




70 Shore D
+90°C
-40°C

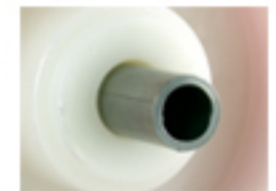


	D	100
	F	33
	H	128
	AxB	100x85
	AAxBB	80x60
	EE	9
	E	42
	O	92
	LC	220



Code for plain bore wheel

NYGX10045



Code for wheel with roller bearing

-



Code for wheel with Inox roller bearing

NYGX10045RX

