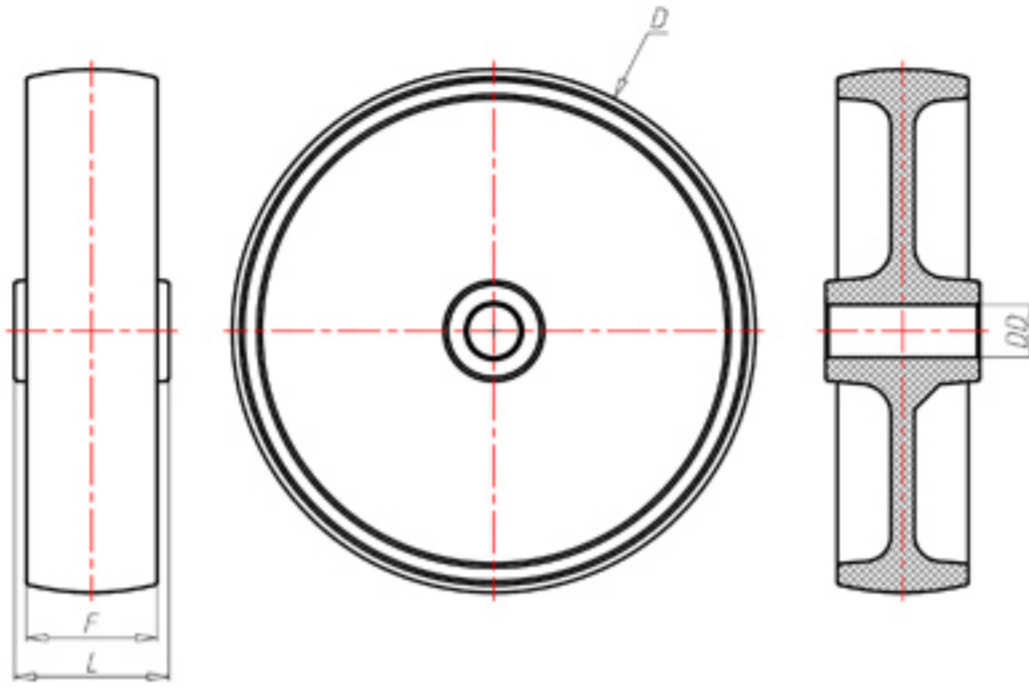


**DITHERM
MTW**

+300°C
-40°C



	D	100
	F	35
	L	45
	DD	Ø 10
	LC	190



Code for plain bore wheel

-



Code for wheel with coated bush

-



Code for wheel with double BT self-lube bush

MTW100LBT



Code for wheel with double HT ball bearing

-



Code wheel with double sintered bronze bush

-

