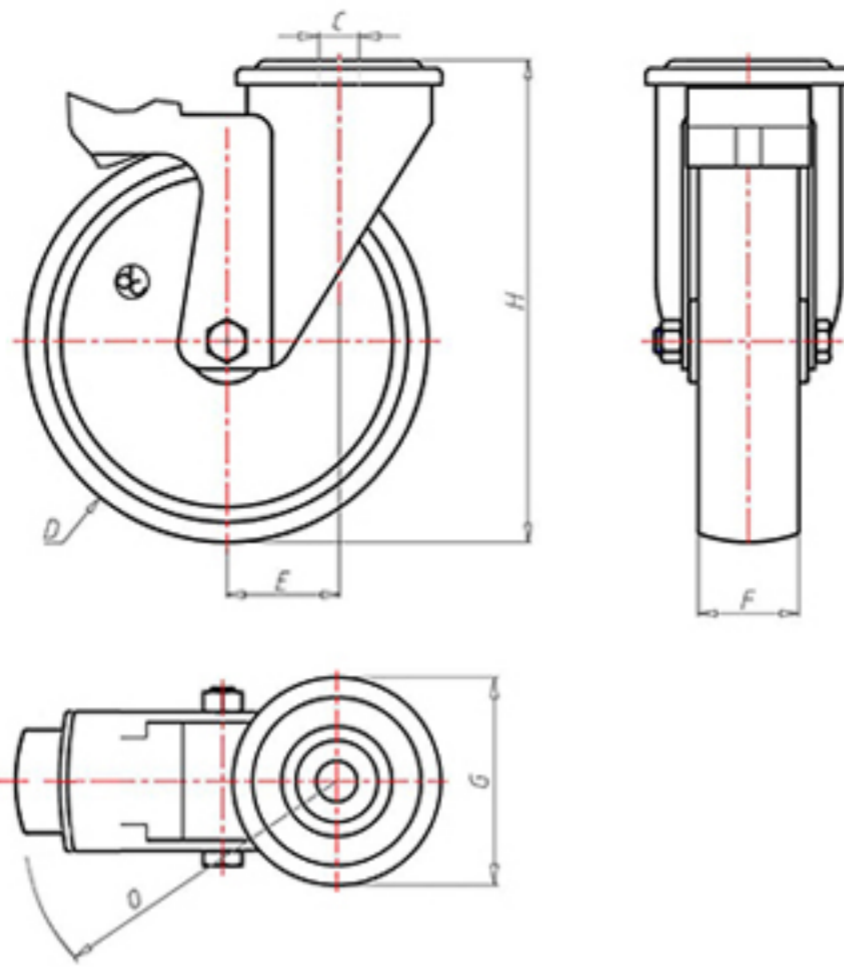


**DITHERM
MTW**

+300°C
-40°C

INOX



	D	100
	F	35
	H	128
	G	Ø 77
	C	Ø 12
	E	42
	O	124
	LC	210



Code for plain bore wheel

MPX100FS



Code for wheel with coated bush

MPX100BRFS



Code for wheel with double BT self-lube bush

MPX100BTFS



Code for wheel with double HT ball bearing

MPX100CFS



Code wheel with double sintered bronze bush

-

