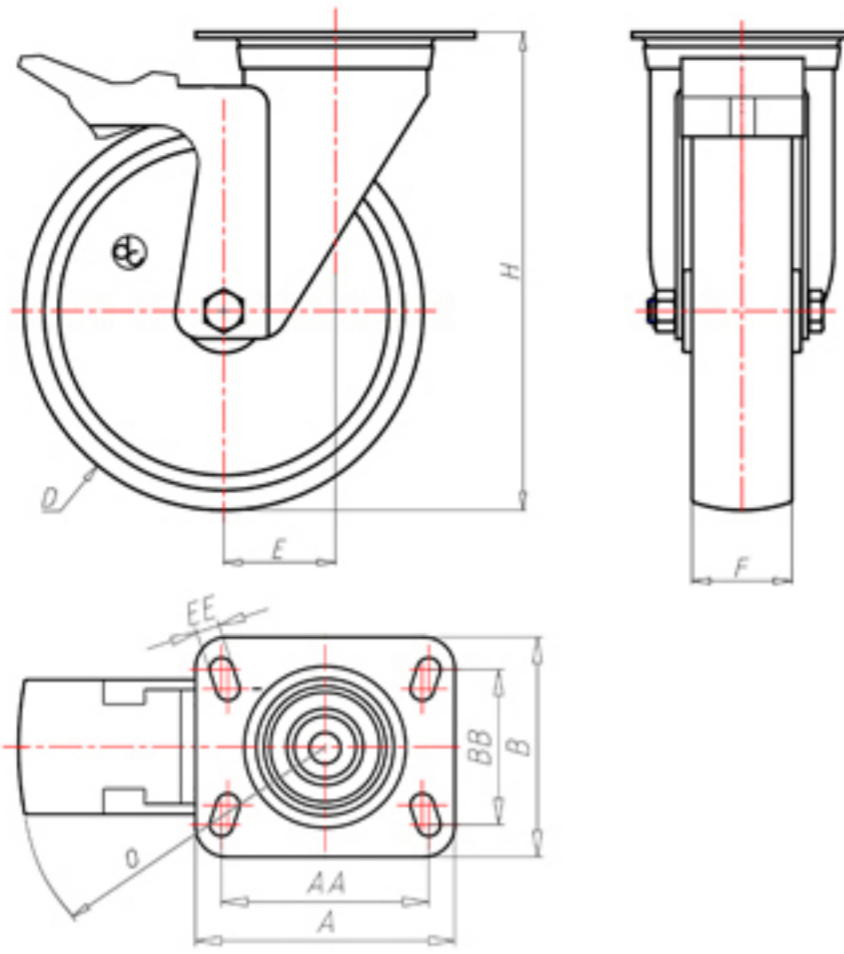


**DITHERM  
MTW**

+300°C  
-40°C



|  |       |        |
|--|-------|--------|
|  | D     | 80     |
|  | F     | 35     |
|  | H     | 108    |
|  | AxB   | 100x80 |
|  | AAxBB | 80x60  |
|  | EE    | 9      |
|  | E     | 40     |
|  | O     | 124    |
|  | LC    | 170    |



Code for plain bore wheel

**MGZ80FA**



Code for wheel with coated bush

**MGZ80BRFA**



Code for wheel with double BT self-lube bush

**MGZ80BTFA**



Code for wheel with double HT ball bearing

**MGZ80CFA**



Code wheel with double sintered bronze bush

**MGZ80BSFA**

