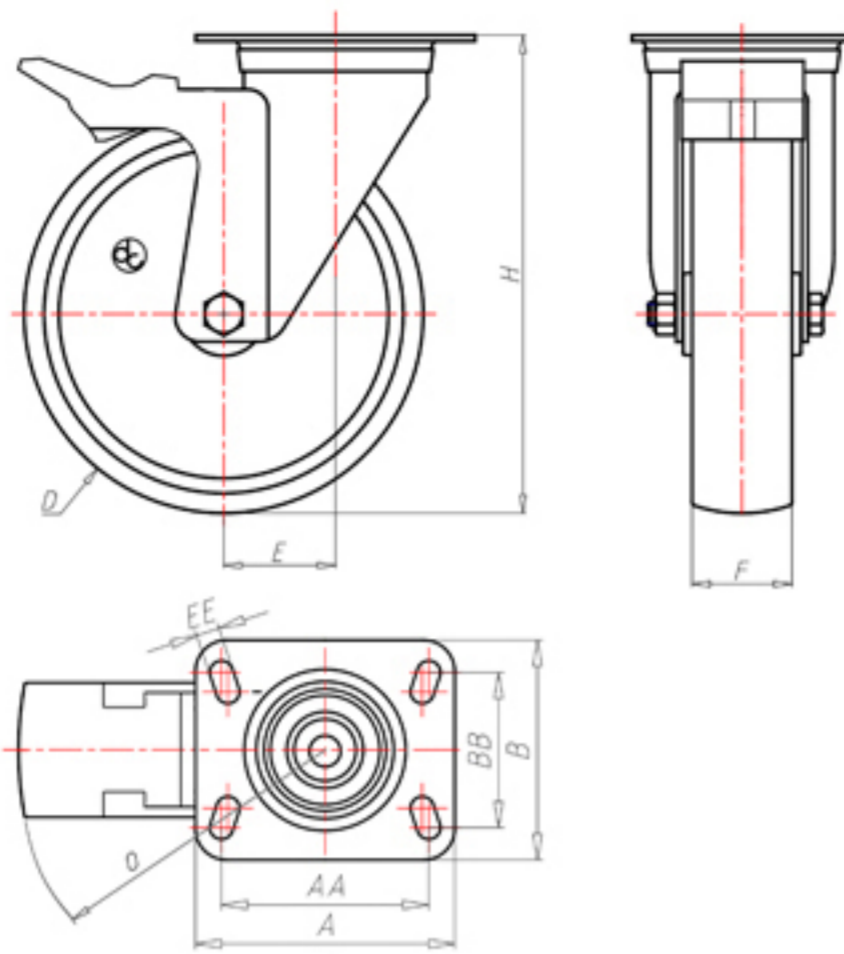


**DITHERM
MTW**

+300°C
-40°C



	D	100
	F	35
	H	128
	AxB	100x80
	AAxBB	80x60
	EE	9
	E	42
	O	124
	LC	190



Code for plain bore wheel

MGZ100LFA



Code for wheel with coated bush

MGZ100LBRFA



Code for wheel with double BT self-lube bush

MGZ100LBTFA



Code for wheel with double HT ball bearing

-



Code wheel with double sintered bronze bush

MGZ100LBSFA

