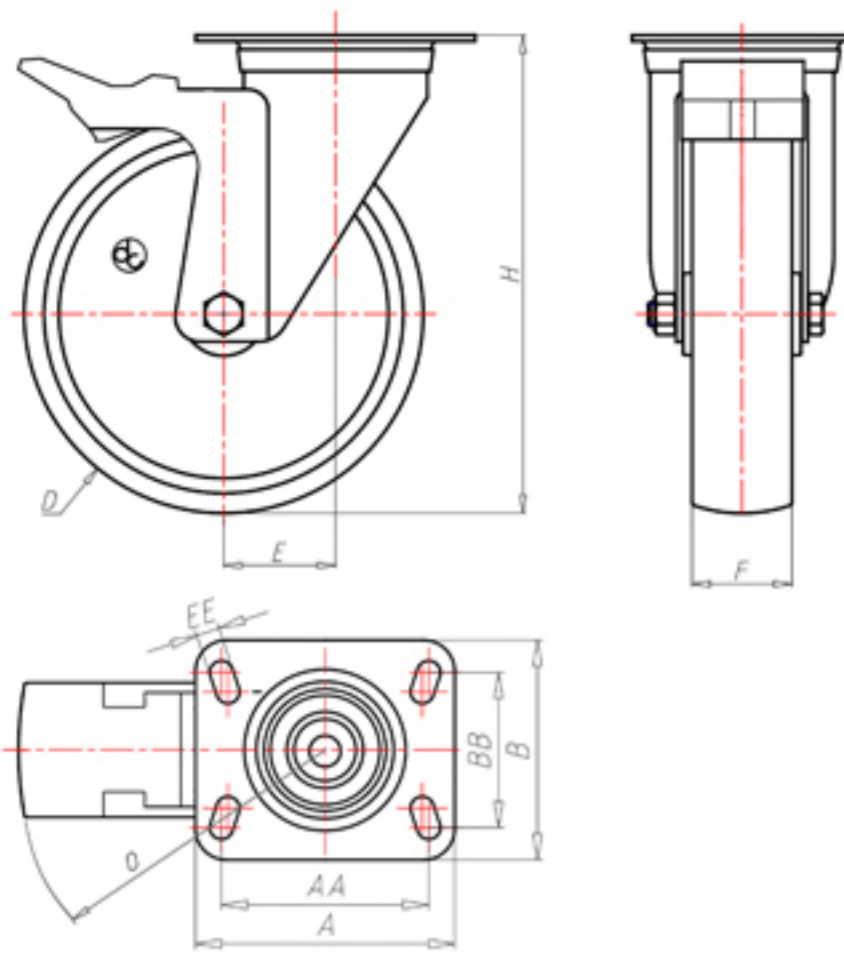


**DITHERM  
MTW**

+300°C  
-40°C



	D	100
	F	35
	H	128
	AxB	100x80
	AAxBB	80x60
	EE	9
	E	42
	O	124
	LC	210



Code for plain bore wheel

**MGZ100FA**



Code for wheel with coated bush

**MGZ100BRFA**



Code for wheel with double BT self-lube bush

**MGZ100BTFA**



Code for wheel with double HT ball bearing

**MGZ100CFA**



Code wheel with double sintered bronze bush

-

