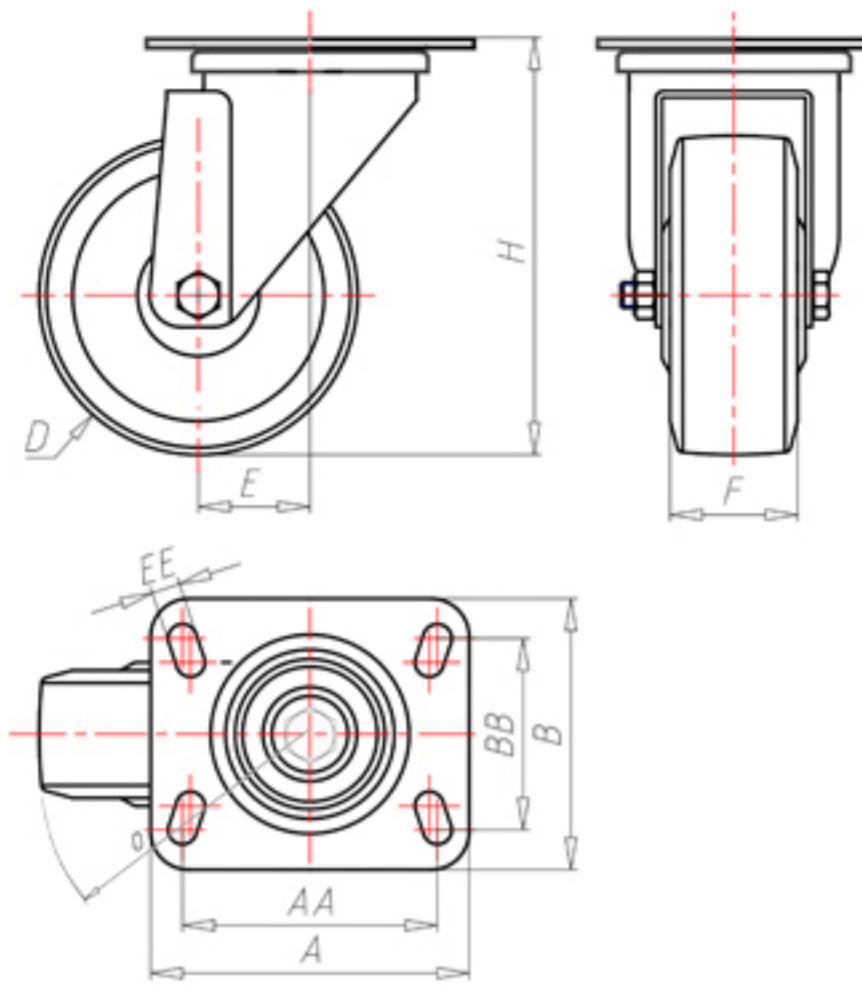


**DITHERM
MTW**

+300°C
-40°C

INOX



| | | |
|--|-------|--------|
| | D | 100 |
| | F | 35 |
| | H | 131 |
| | AxB | 100x85 |
| | AAxBB | 80x60 |
| | EE | 9 |
| | E | 42 |
| | O | 92 |
| | LC | 210 |



Code for plain bore wheel

MGX100P



Code for wheel with coated bush

MGX100PBR



Code for wheel with double BT self-lube bush

MGX100PBT



Code for wheel with double HT ball bearing

MGX100PC



Code wheel with double sintered bronze bush

-

